

Masport®

EUROPEAN CE ROTARY MOWERS

SERIES 18 - OPC

Part Number	579893	200ST	B & S - Classic 35
Part Number	579894	250ST	B & S - XM 50
Part Number	579932	250ST	B & S - Quattro 158cc

Market Introduction: December 2007



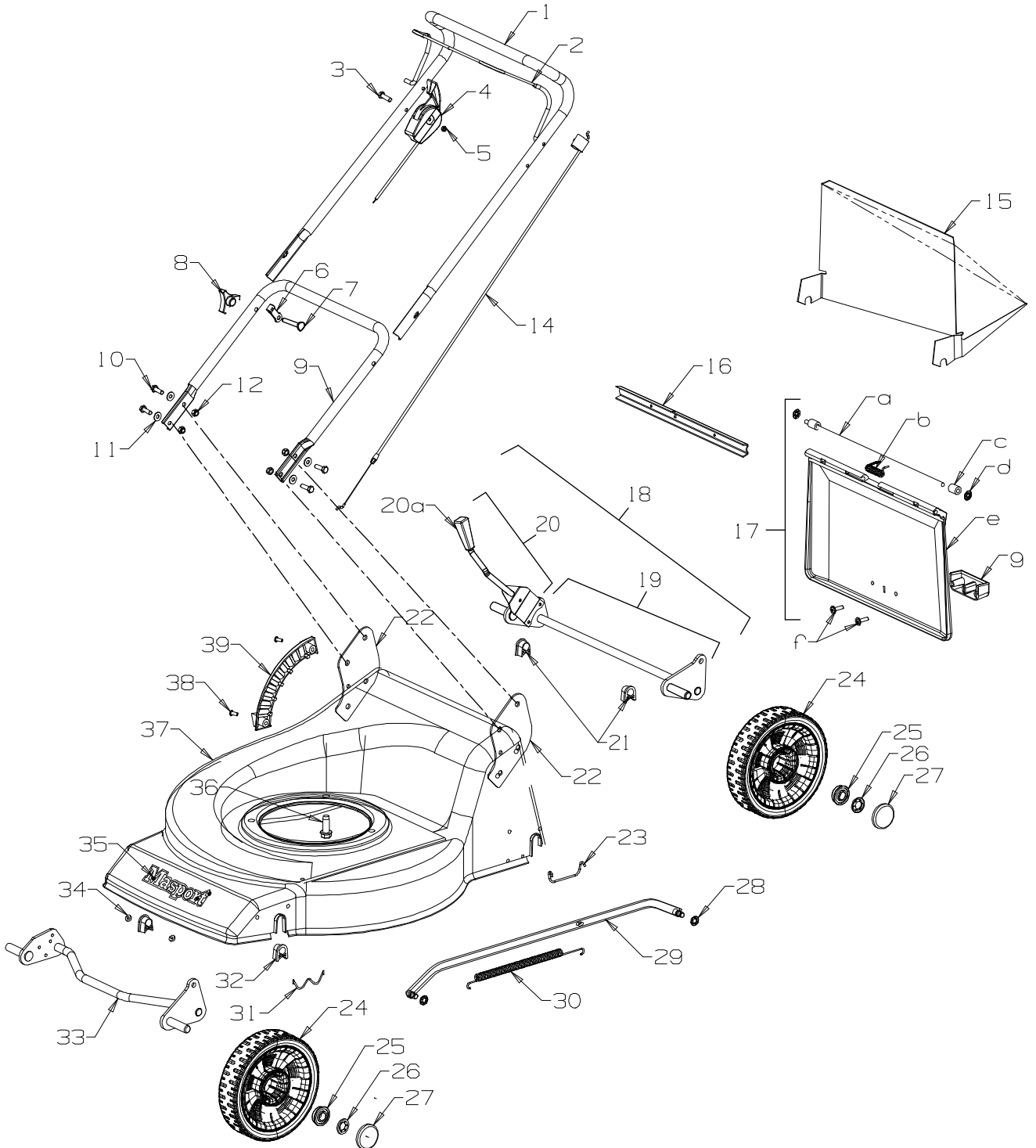


Maxicatch 200ST
Powered By: Briggs & Stratton Classic 35



SERIES - 18, OPC
200ST & 250ST

Maxicatch 250ST
Powered By: Briggs & Stratton XM50-or- Quattro 138cc





Maxicatch 200ST
Powered By: Briggs & Stratton Classic 35

Maxicatch 250ST
Powered By: Briggs & Stratton XM50-or- Quattro 138cc



**SERIES - 18, OPC
200ST & 250ST**

Item No	Part No	Description	Qty	Item No	Part No	Description	Qty
1	971022	Handle-Upper, UPT, OPC- Wide	1	21	580668	Bush-Pivot, Rear Axle	2
2	581740	Bail Arm Assm, Upturn, OPC	1	22	579689	Bracket-Flap, LH & RH, Black	1
3	503604	Screw, Pan M6 x 45	1	23	579292	Retainer-Axle, Rear, Steel-deck	2
4	579760	Control-Throttle, +Ve N/Ch	1	24	579495	Wheel Assy-175mm	2
5	501764	Nut, Nyloc M6	1	25*	579694	Bush-Plain, Plastic	4
6	581527	Retainer-Control Cable, Handle	1	25b	551212	Bearing, Ball	4
7	574218	Bolt, SPH M8 x 50 x 35	2	26	503236	Clip-Starlock, 1/2"	2
8	574230	Knob-Plastic M8	2	27	579202	Hub Cap-Button Spoked BLACK	4
9	971017	Handle-Lower, "U" OPP- Black	1	28	501365	Clip-Starlock, 5/16"	2
10	503643	Screw, Set M8 x 25, BTN/HD	4	29	572288	Rod Assy-Connecting, 150mm	1
11	501606	Washer, Flat 8 x 19 x 1.6	4	30	581463	Spring-Counter Balance	1
12	501793	Nut, Nyloc M8	4	31	529674	Retainer-Axle W, Front	2
14	581656	Cable-Engine, OPC, Push-On	1	32	580030	Bush-Pivot, Front Axle	2
15	783470	Chute Assy-Grass (Optional)	1	33	581269	Axle-Front, 175mm	1
16	583151	Seal-Dust, Flap	1	34	503150	Clip-Starlock, 5 Dia	1
17	781532	Flap Assy-Rear, Plastic	1	35	581240	Nameplate	1
a	779732	• Wire-6mm x 387mm, Flap Pivot	1	36	580453	Screw, S/T 3/ 8" x 1 1/8"	3
b	581349	• Spring-Flap	1	37	781468	Housing - Titanium	1
c	579733	• Spacer - Flap	2	38	503660	Rivet-Pop 4.7 Dia x 9.0	2
d	503574	• Starlock Clip, 6mm Dia	2	39	580025	Quadrant-Height Selector	1
e	579221	• Flap-Plastic - PRC, Black	1			NOT ILLUSTRATED	
f	503650	• Screw, ST M5x18 Wasr Plast	2				
g	580602	• Handle-Flap	1				
18	969241	Axle Assy, Rear Complete	1	569324		Owners Manual	1
19	580020	Axle Assy-Rear,	1				
20	980733	Rod Height Ajust. Assm	1				
20a	580056	• Grip-Lever - 7.9 Dia, Black	1				

Bold Text = Assemblies
Bulleted Text = Items included in Assemblies



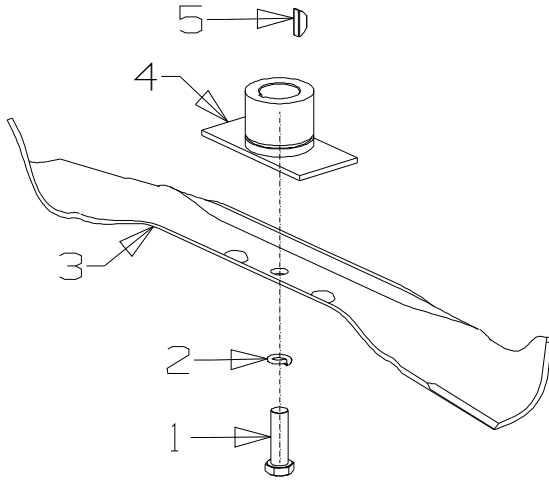
Maxicatch 200ST
 Powered By: Briggs & Stratton Classic 35



SERIES - 18, OPC
200ST & 250ST

Maxicatch 250ST
 Powered By: Briggs & Stratton XM50-or- Quattro 138cc

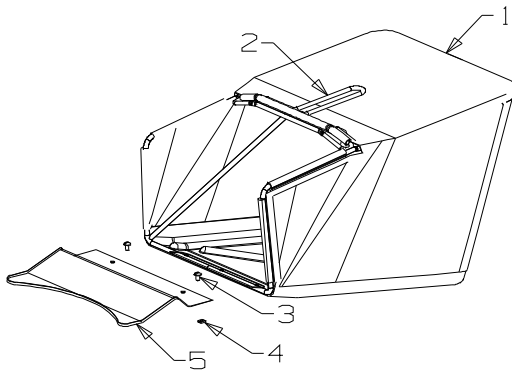
460mm Bar-Blade Assembly



Item No	Part No	Description	Qty
1	581610	Screw, Set NF 3/8" x 1.25	1
2	500204	Washer, Spring 3/8"	1
3	911181	Bar Blade, 460mm	1
4*	911106	Driver Assy-Blade - 22mm Shaft	1
5*	500636	Key, Woodruff - 5/8" x 5/32" x 1/4"	1
4a	980494	Driver Assy-Blade - 25mm Shaft	1
5a	503363	Key, Woodruff - 5/8" x 3/16" x 1/4"	1

Bold Text = Assemblies
Bulleted Text = Items included in Assemblies

Fabric Catcher Assembly Complete - Part Number 779349



Item No	Part No	Description	Qty
1	580037	Bag Assembly	1
2	579312	Frame	1
3	503591	Screw, Pan M6 x 12	2
4	502098	Nut. M6 Square	2
5	980036	Lip - catcher	1

HEAD OFFICE - NEW ZEALAND

P. O. Box 14-349, Panmure,
 Auckland 1741, New Zealand
 Phone: (64 9) 571 1200
 Fax: (64 9) 571 5864
 Website: www.masport.com
 Email: sales@masport.co.nz